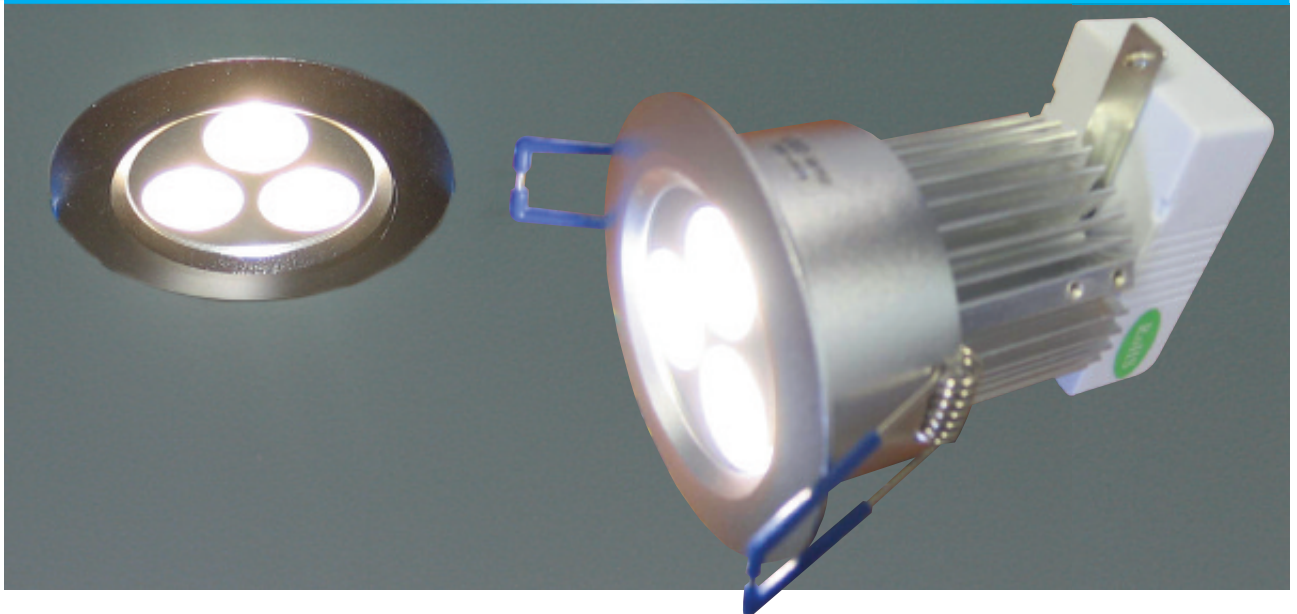


# EcoLite® 3x3W

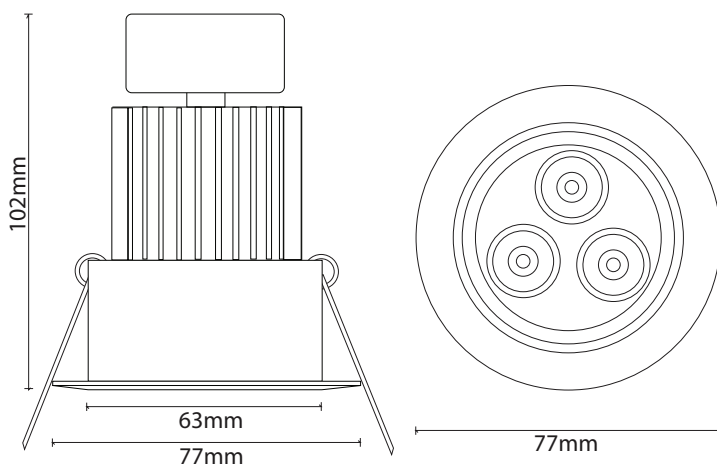
Eco-LED™ series

Architectural highlights in LEDs



#### Features include:

- This 3x3W lamp with all-in-one fitting and LED driver is a perfect replacement for halogen lamps
- Same output as a 50W halogen with only a fifth of the energy use. **Run 5 for the price of one!**
- **Built-in driver** makes retro fitting simple, no need to worry about having the right transformer
- New generation EcoLite 3x3W can also be supplied in a dimming configuration - Square plate only
- Available in cool white and warm white
- Units have continuous life span running **50,000 hours plus**
- **Environmentally friendly**, LEDs contain no mercury or sodium - 100% recyclable
- Solid state electronic light source (Light Emitting Diodes) means virtually no maintenance required
- Low heat radiation and **no UV or infrared emissions**
- Very **easy to install**



EcoLite 3x3W Specifications	
Watts	9W (3x3W)
Voltage	12V
Colour Temperature CW	5700-6300
Colour Temperature WW	2800-3300
Output Luminous Flux	490 Lumens
Construction	Aluminium
Beam angle	30,45,60 degrees

www.ledfx.com.au



# LedFX

9b Lakewood Blvd. Braeside VIC 3195

P: 03 9588 1282 F: 03 9588 2088

E: sales@ledfx.com.au

All dimensions are approximate. The information provided in this brochure is representative of the actual products available at the time of printing. Due to our continuous product development, the designs and specifications depicted are subject to change without notice. Please confirm all particulars with your sales consultant prior to purchase. Each product is covered by a limited warranty. Full terms and conditions are available from your sales consultant. NeonGlo™, LedStar®, DicroLed™, SplashLite®, Luxstar® & EdgeLed™ are covered by one or more of the following patents: 200100435/2002100441/2002100439 by Cgm Technologies Pty Ltd. © 2004.