

DicroLED[®] MR16

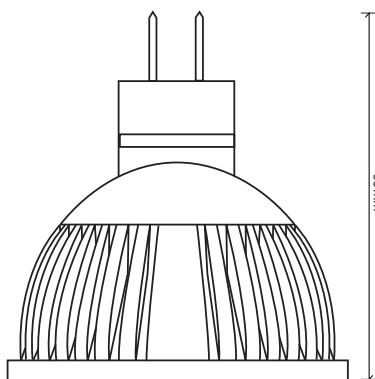
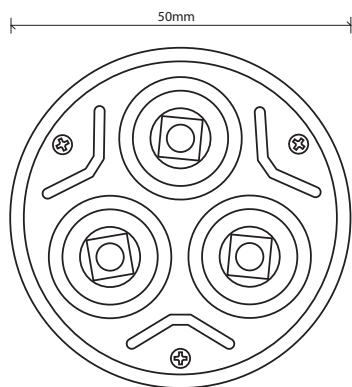
Eco-LED™ series

Architectural highlights in LEDs



Features include:

- This 3 x 3W lamp is designed to replace all halogen MR16 fittings that use a regulated transformer
- Can be supplied with gimble fittings and transformer if required
- Same output as a 35-40W halogen
- Available in single colours: red, green, blue, cool white and warm white
- Units have continuous life span running **50,000 hours plus**
- **Environmentally friendly**, containing no mercury or sodium
- Solid state electronic light source (Light Emitting Diodes) means virtually no maintenance
- You can run five 9W downlights for the same power usage as one 50W halogen
- Very **easy to install** using safe extra low 12 volts
- Low heat radiation and **no UV emissions**
- One iron core transformer will operate up to five 9W downlights



Specifications	
Watts	9W (3 x 3W)
Current	320MA
Power	12V
Output Luminous Flux CW	510 Lumens m ²
Output Luminous Flux WW	270 Lumens m ²
Construction	Aluminium
Beam angle	15/30/50 degrees

www.ledfx.com.au



LedFX

9b Lakewood Blvd. Braeside VIC 3195

P: 03 9588 1282 F: 03 9588 2088

E: sales@ledfx.com.au

All dimensions are approximate. The information provided in this brochure is representative of the actual products available at the time of printing. Due to our continuous product development, the designs and specifications depicted are subject to change without notice. Please confirm all particulars with your sales consultant prior to purchase. Each product is covered by a limited warranty. Full terms and conditions are available from your sales consultant. NeonGlo™, LedStar®, DicroLED™, SplashLite®, Luxstar® & EdgeLed™ are covered by one or more of the following patents: 2001100435/2002100441/2002100439 by Cgm Technologies Pty Ltd. © 2004.