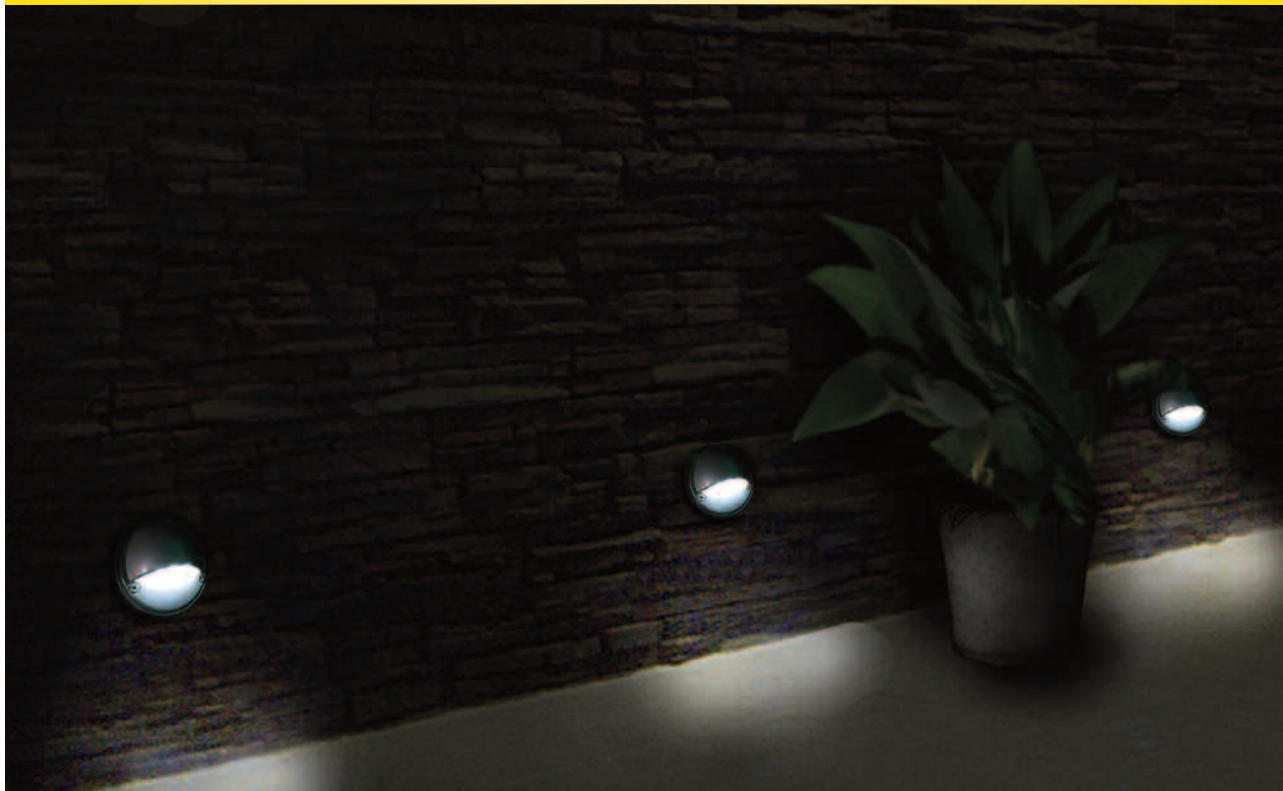


DicroLedTM Sconce

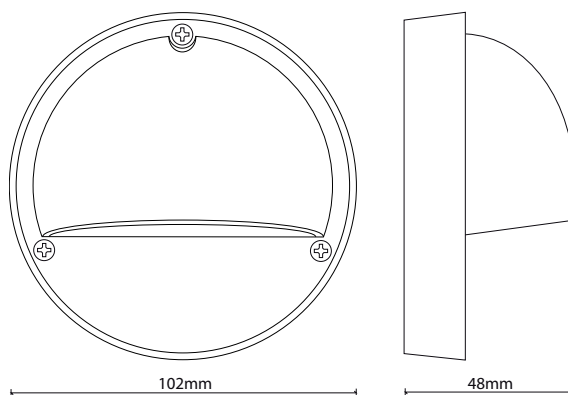
Eco-LEDTM series

Architectural highlights in LEDs



Features include:

- DicroLed Sconce is perfect where you need an unobtrusive guide light like steps, paths or hallways
- Colours available: red, green, blue, amber, white, warm white or full colour changing is available
- Can be used in conjunction with any **LedFX** controller for fading/flashing
- Red, Green, Blue, White and **full colour changing** are available
- Energy efficient, up to **90% reduction in energy consumption** compared to incandescent lights
- Units have continuous life span running **60,000 hours plus**
- **Environmentally friendly**, containing no mercury or sodium
- Solid state electronic light source (Light Emitting Diodes) means virtually no maintenance
- Very **easy to install** safe extra low 12 volts
- Low heat radiation and **no UV emissions**



9b Lakewood Blvd. Braeside VIC 3195

P: 03 9588 1282 F: 03 9588 2088

E: sales@ledfx.com.au



LedFX

All dimensions are approximate. The information provided in this brochure is representative of the actual products available at the time of printing. Due to our continuous product development, the designs and specifications depicted are subject to change without notice. Please confirm all particulars with your sales consultant prior to purchase. Each product is covered by a limited warranty. Full terms and conditions are available from your sales consultant. NeonGloTM, LedStar[®], DicroLedTM, SplashLite[®], Luxstar[®] & EdgeLedTM are covered by one or more of the following patents: 200100435/2002100441/2002100439 by Cgm Technologies Pty Ltd. © 2004.